

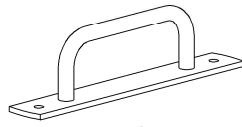


MANTION POLSKA

WWW.MANTION.PL

Uchwyt ON | ROC DESIGN

337-763, 337-764, 337-765
337-766, 337-767



x1



M8x55

x2



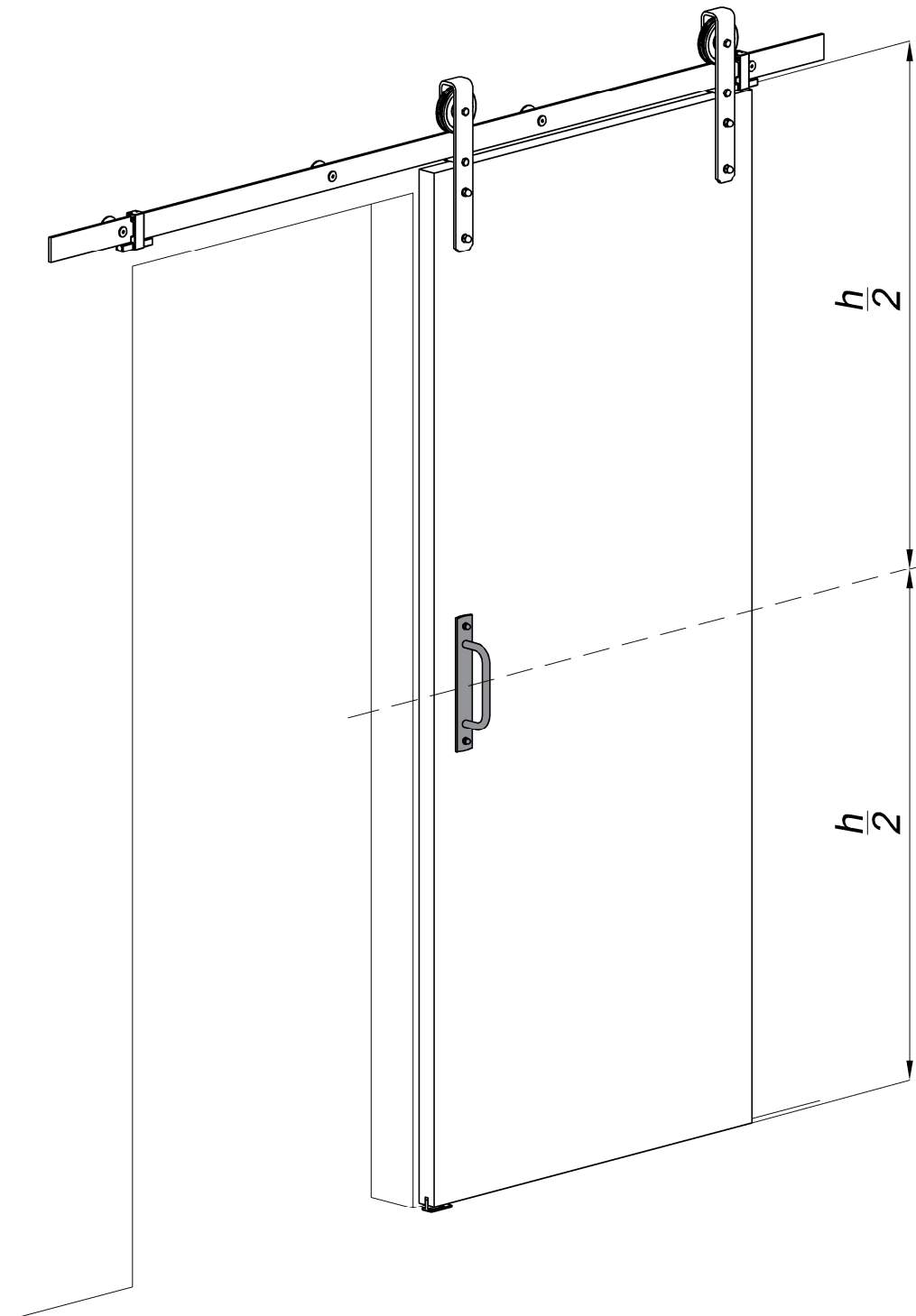
Ø8

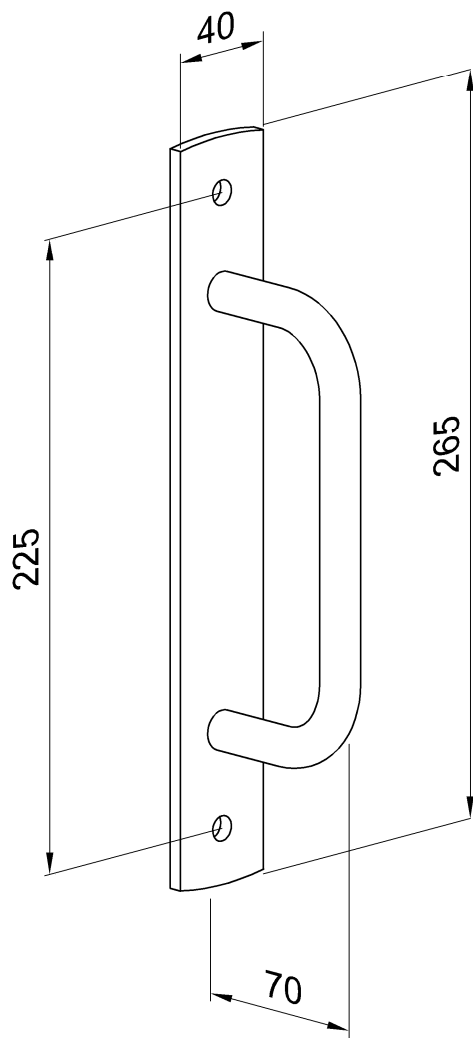
x4



M8

x2





! $35 < s < 38$

$38 \leq s < 42$

